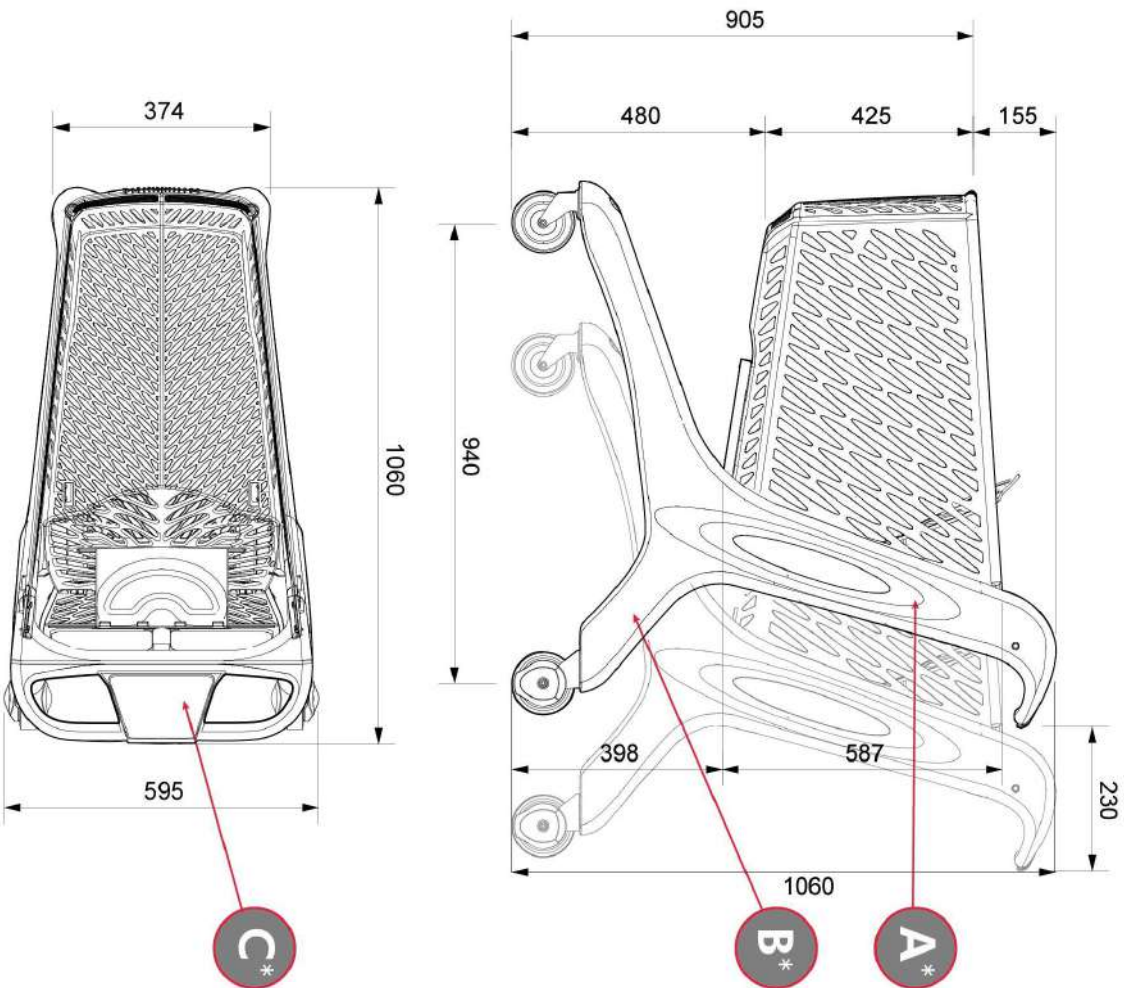


# MODEL 160L MIDI



## STANDARD CASTOR



.....

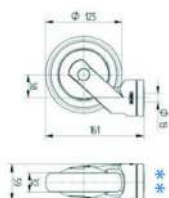
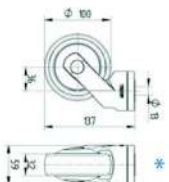


Ø 100 MM

## SYNTHETIC CASTOR



.....

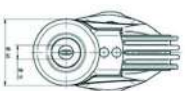
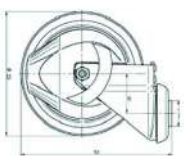


Ø 100 MM  
Ø 125 MM

## TRAVELATOR CASTOR



.....



Ø 125 MM

### TYPE

### \*RAW MATERIAL

### WEIGHT

MIDI 160 L  
BASIC

A = PC (Polycarbonate)  
B = PA 15% GF (Polyamide)  
C = PP 20% T (Polipropylene)

kg  
20,2

MIDI 160 L  
EKO

A = PC (Polycarbonate)  
B = PA 15% GF (Polyamide recycleta)  
C = PP 20% T (Polipropylene recycleta)

kg  
20,2