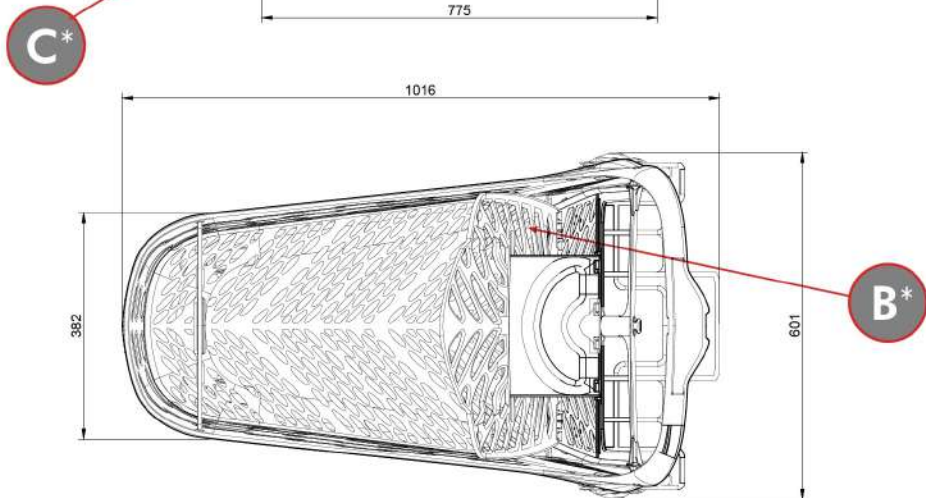
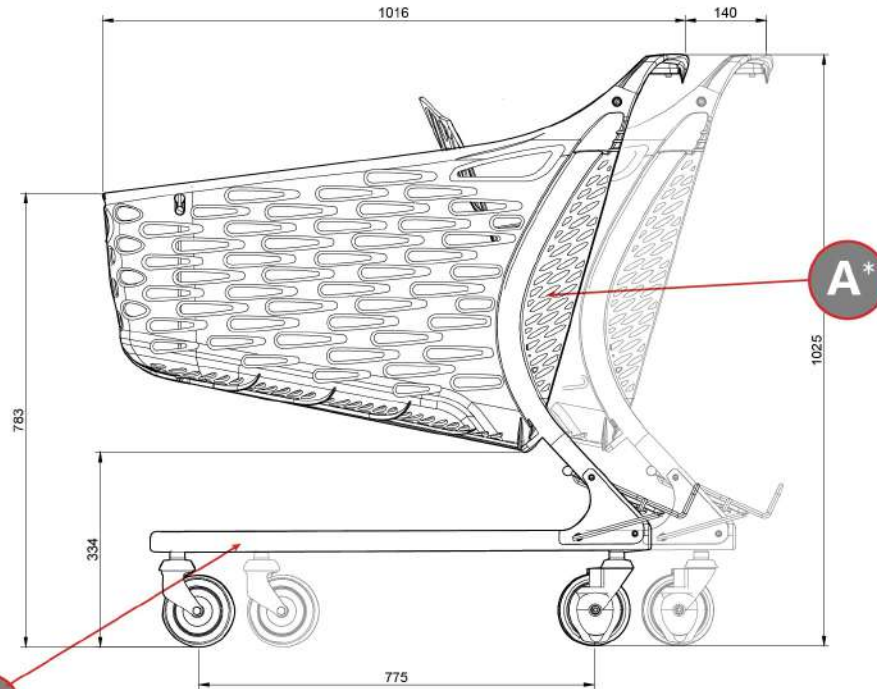
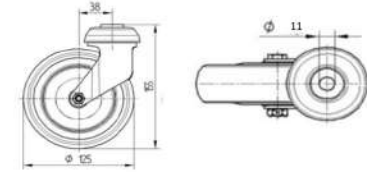


MODEL 130L SAMBA



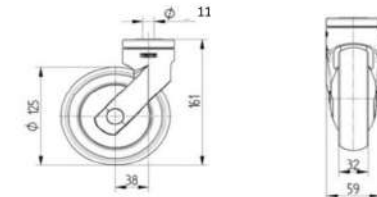
STANDARD CASTOR

Ø 125 MM



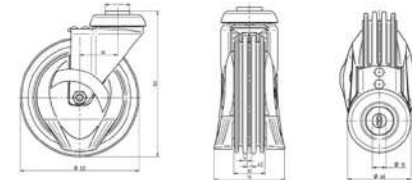
SYNTHETIC CASTOR

Ø 125 MM



TRAVELATOR CASTOR

Ø 125 MM



TYPE

*RAW MATERIAL

WEIGHT

SAMBA BASIC

A = PP 15% GF (Polypropylene) - 100% from industrial recycling
B = PA 15% GF (Polyamide) - 100% from industrial recycling
C = Steel frame zinc coated + powder painted RAL 9007.

16 kg

SAMBA EKO

A = PP 15% GF (Polypropylene) - 100% from industrial recycling
B = PA 15% GF (Polyamide) - 100% from industrial recycling
C = Steel frame zinc coated + powder painted RAL 9007

16 kg

**SAMBA
SAVE the SEA**

A = PP 15% GF (Polypropylene) - 100% recycled
(70% sea cleaning + 30% industrial recycling)
B = PA 15% GF (Polyamide) - 100% from industrial recycling
C = Steel frame zinc coated + powder painted RAL 9007

16 kg

**SAMBA
GLAMOUR**

A = PC Transparent (Polycarbonate)
B = PA 15% GF (Polyamide) - 100% from industrial recycling
C = Steel frame zinc coated + powder painted RAL 9007

17 kg